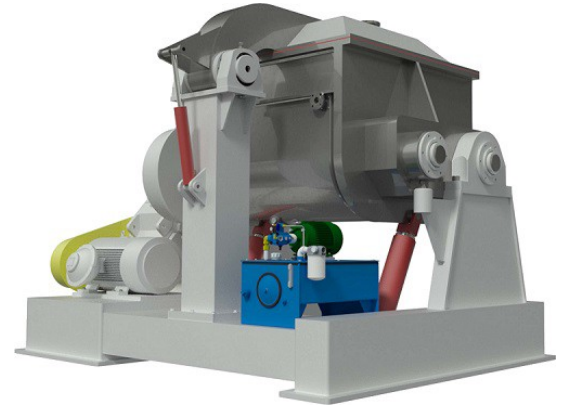


**ORBIS MACHINERY, LLC** custom-designs and engineers Double Arm Mixers and Mixer Extruders for shearing and kneading high viscosity products. We offer three varieties of double arm mixers. **Tilt Discharge, Bottom Dump and Auger Discharge.** The benefits of each design is dictated by the client's process and product characteristics. Orbis Machinery, LLC can deliver equipment for high viscosity mixing that provides reliability, dependability and flexibility to accommodate your needs.



Model DK-200 Shown



Model DKx-500 Shown



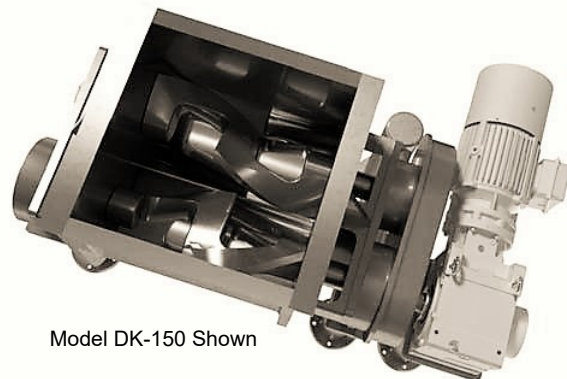
Model DKx Discharge Screw

## DESIGN OPTIONS

- Materials ranging from Carbon Steel Contact Parts to Exotic Alloys
- Cover Kits including Dust /Vapor Tight or Vacuum Designed Cover
- Full Vacuum Internal Ratings
- Removable Wear Liners on all Contact Components
- Turn Key Controls
- Conventional, Dimple, Pipe Coil or Electrically-Heated Jackets
- Sigma, Dispersion, Masticator or Naben Style Blades
- Tangential, Overlapping or Naben Blade Designs
- Vacuum Systems
- Heating Systems
- Blade Coring
- High Pressure Displacement Discharge Pumps
- ASME and TUV certifications
- VF Drives
- Hydraulic Drives
- Mechanical Shaft Seals
- Food & Confection Designs

## TYPICAL APPLICATIONS

- Adhesives - Confection
- Ceramics Chemical
- Healthcare
- Paper & Pulp Sealants
- Nutraceutical
- Pigments Food
- Carbon
- Rubber



Model DK-150 Shown



Model DK-50 Shown

## THE ORBIS MACHINERY, LLC SANITARY DOUBLE ARM FEATURES

- Designed to prevent bacterial ingress, survival, growth and reproduction on both product and non-product contact surfaces.
- Construction materials shall be compatible with the product, environment, cleaning and sanitizing chemicals.
- Components are easily accessible for inspection, maintenance, cleaning and sanitation without the use of specialized tools
- Self-draining to prevent pooling on equipment.
- Internal surfaces free of pits, voids and cavities.



### **SIGMA BLADE**

The **SIGMA BLADE** is a universal style blade and is suitable and versatile for multiple processes such as Confections, Adhesives, Butyl rubber and Sealants.



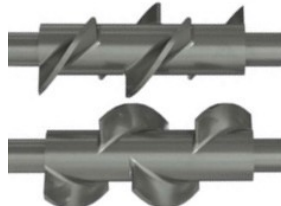
### **MASTICATOR BLADE**

The **MASTICATOR BLADE** is used for dispersion of difficult to mix products such as rubber, plastics or abrasive materials.



### **DISPERSION BLADE**

The **DISPERSION BLADE** provides less shear force and is excellent for mixing fiber reinforced products such as BMC. The blades are available in either 135 or 180-degree spiral.



### **NABEN BLADE**

The **NABEN BLADE** is suitable for mixing applications such as cellulose materials or slurries.