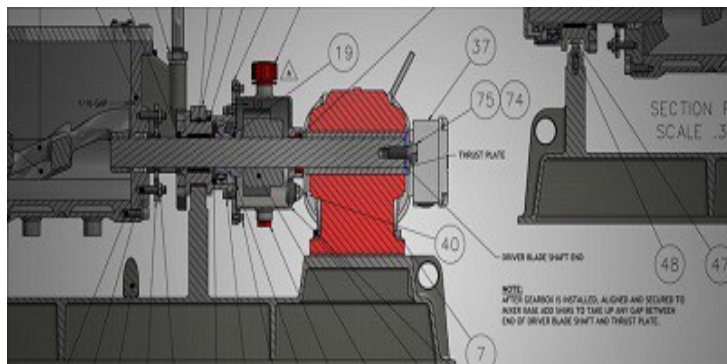


With nearly 60 years of combined experience in the process machinery industry **ORBIS MACHINERY, LLC** staff has the knowledge and in house capabilities to rebuild Double Arm Mixer, Mixer Extruders, Ribbon, Paddle or Tumble Blenders, as well as Tumble Dryers and Ball Mills. Our services start with a complete tear down and inspection of the equipment. A detailed inspection report and estimated cost of repairs is provided to our clients so they can make an informed decision prior to making any major investment in the equipment.



We also have the capabilities of supplying replacement parts for your existing process machinery. **ORBIS MACHINERY, LLC** can reverse engineer and supply the parts you need for less than most OEM suppliers. All parts are made from high quality materials and manufactured in the USA. We also can create patterns and tooling required to accommodate design or processing changes.

**A sample of parts that can be reversed engineered for other OEM mixers, blenders, dryers and ball mills include:**

#### **DOUBLE ARM MIXERS**

- Mixer Bowls and End Walls
- Bowl Covers
- Blade Castings
- Blade Shafts
- Discharge Auger Screws
- Auger Input Shafts
- Connecting Gears
- Packing Gland Assemblies
- Bearing Housings

#### **BALL MILLS**

- Ball Mill Cylinders
- Grinding Covers
- Dry Discharge Covers
- Wet Discharge Covers
- Ring and Pinion Gears
- Support Stands
- End Journal
- Discharge Shrouds

#### **RIBBON & PADDLE BLENDERS**

- Ribbon Agitators
- Paddle Agitators
- Blender Troughs
- Blender Covers
- Packing Gland Assemblies
- Side Chopper Assemblies

#### **CONE TUMBLE DRYERS**

- Cone Dryer Bodies
- Internal Vacuum Line
- Assemblies Replacement
- Bushings Support Stands
- Trunnions
- Seal Housings

#### **CONE TUMBLERS**

- Cone Blender
- Bodies Support
- Stands Trunnions
- Intensifier Bars

**ORBIS MACHINERY, LLC** and our partner company **WELDALL MFG., INC.** hold to the most stringent quality control measures to provide only the highest quality equipment and services. Our facility has been certified to ISO 9001:2008 and ISO 14001:2004 Standards in addition to maintaining the "U" and "R" ASME stamp certificates for pressure vessel construction.

Quality and customer service is our top priority. We want to establish loyal partnerships with our clients and respect the interest of each of those relationships.

We strive to provide engineered solutions and quality products at value pricing. Our goal is to become your one stop provider for new equipment, parts and services.

**ORBIS MACHINERY, LLC  
SERVICES INCLUDE**



Cylinder Relining



Custom Redesign  
& Fabrication



Reverse Engineering &  
Fabrication



On Sight Field  
Inspections



Equipment  
Reconditioning  
and Repair

